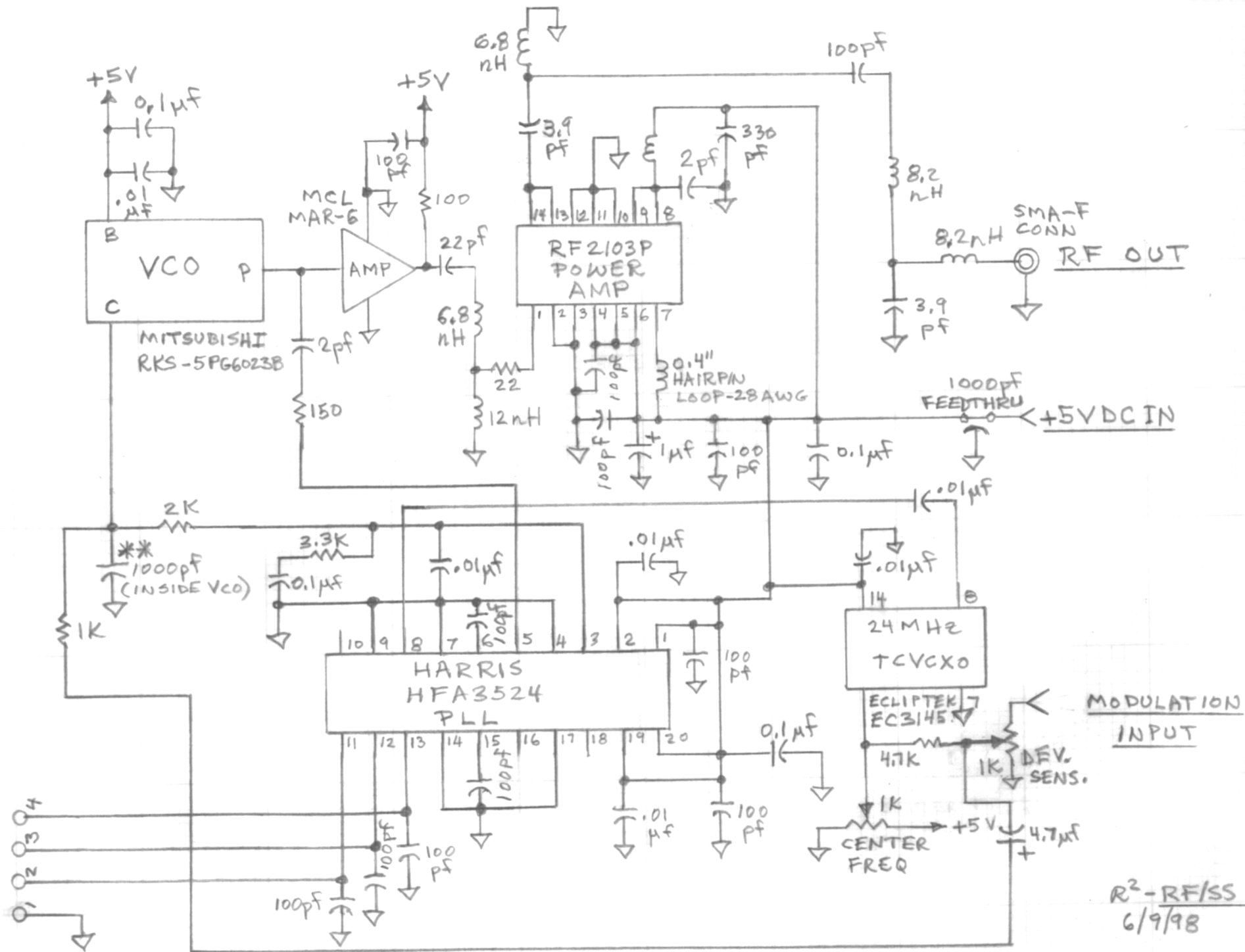


4 PIN HEADER



R²-RF/SS
6/9/98